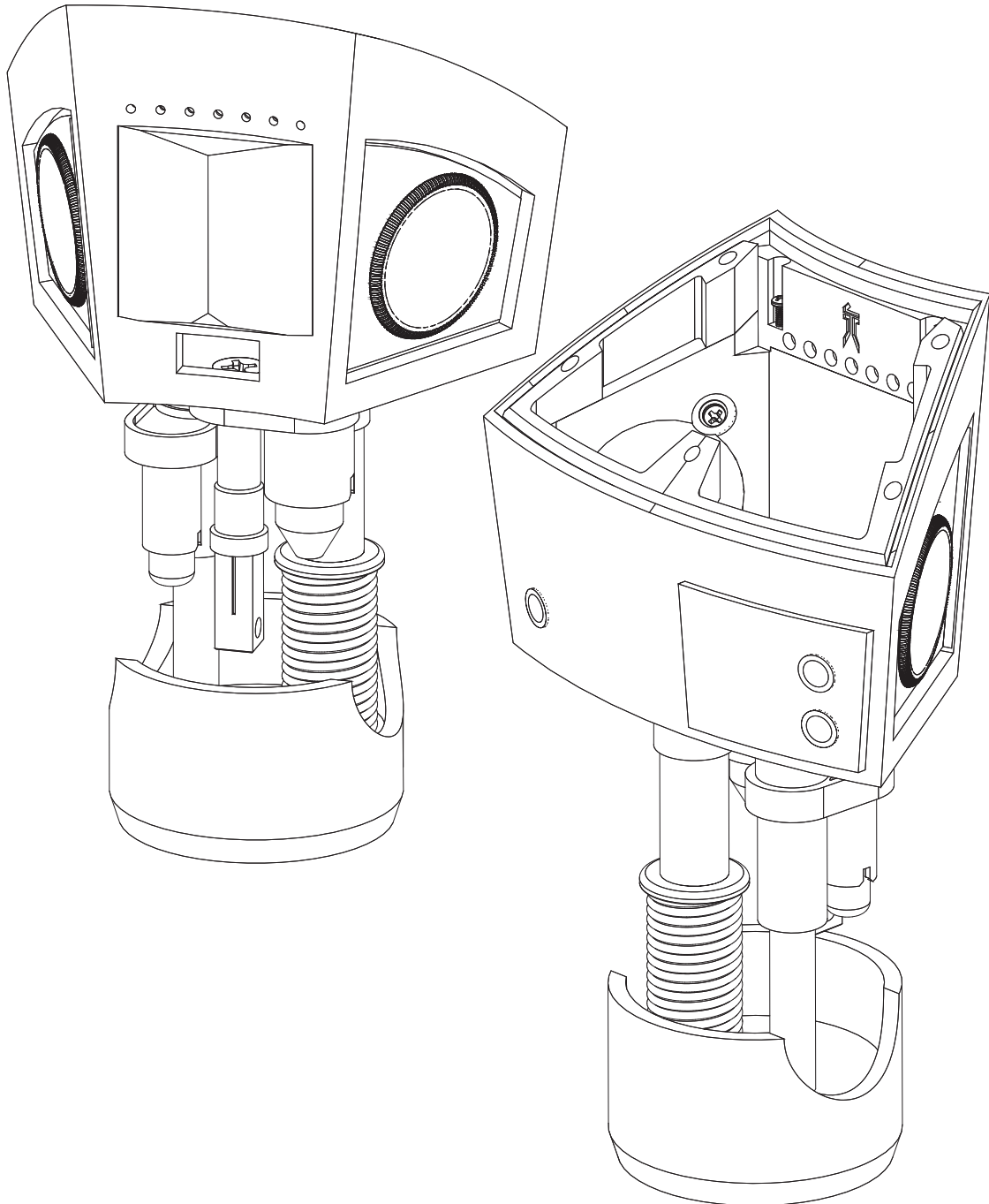


# INTRODUCTION

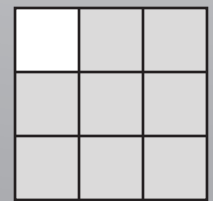
Astromech Droids; they don't float. Whether you're broken down in a Dagobah swamp or relaxing on Mon Calamari, water hazards are everywhere. Be prepared for your droids inevitable submergence in liquids (or fine sand) with the Periscope & Riser from IA Parts!

These finely crafted assemblies are an essential part for any R2 Unit looking to be prepared for the toughest environments.

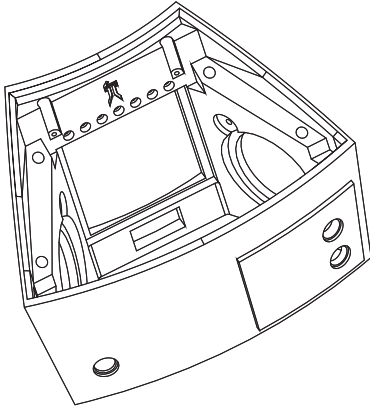
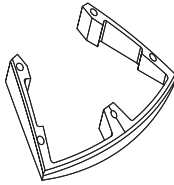
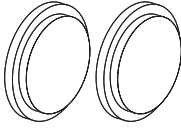
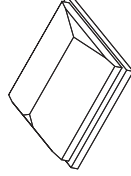

# PERISCOPE & RISER OVERVIEW



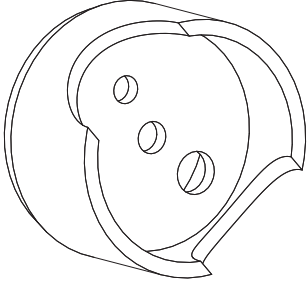
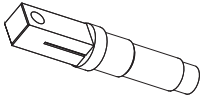

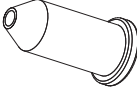
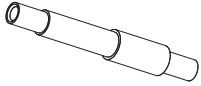

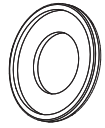
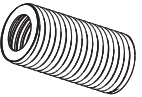
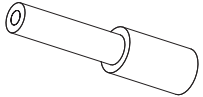
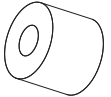

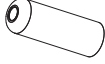
R2-SERIES  
PERISCOPE  
& RISER  
ASSEMBLY






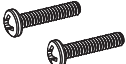
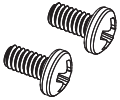
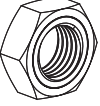
# PERISCOPE PARTS

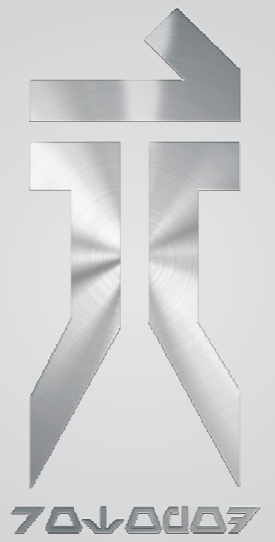
 <p>Main Housing</p>	 <p>Top Insert</p>	 <p>Side Lenses</p>	 <p>Front Lens</p>
	 <p>Rear LED Gaskets</p>		

# RISER PARTS

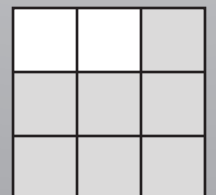
 <p>Cap</p>	 <p>Center Shaft</p>	 <p>Large Clip</p>	 <p>Large Clip Insert</p>
	 <p>Boot Shaft</p>	 <p>Boot Shaft Collar</p>	 <p>Boot Disk</p>
 <p>Boot</p>	 <p>Shaft C</p>	 <p>Shaft C Collar</p>	 <p>Small Clip</p>
			 <p>Small Clip Insert</p>

# HARDWARE

 <p>2in 6x32 Screw</p>	 <p>1 inch screw</p>	 <p>3/4 inch Screw</p>	 <p>M1 Screws</p>	 <p>M2 Screws</p>
 <p>3/8 inch Nut</p>				



R2-SERIES  
PERISCOPE  
& RISER  
ASSEMBLY



## STEP 1

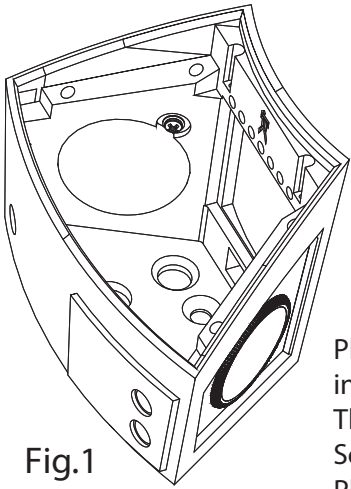


Fig.1

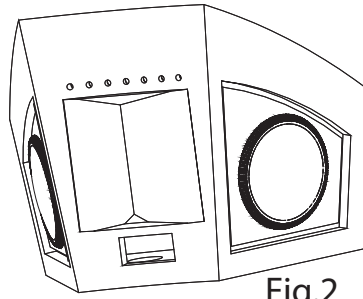


Fig.2

Place Side Lenses in the round openings. The lenses are held in position using the M2 Screws. Then place the Front Lens, securing it in position with the M1 Screws. Place the two LED gaskets through the holes in the back of the periscope.

go slow and BE CAREFUL!!!!

## STEP 2

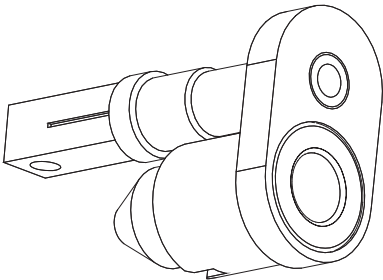


Fig.3

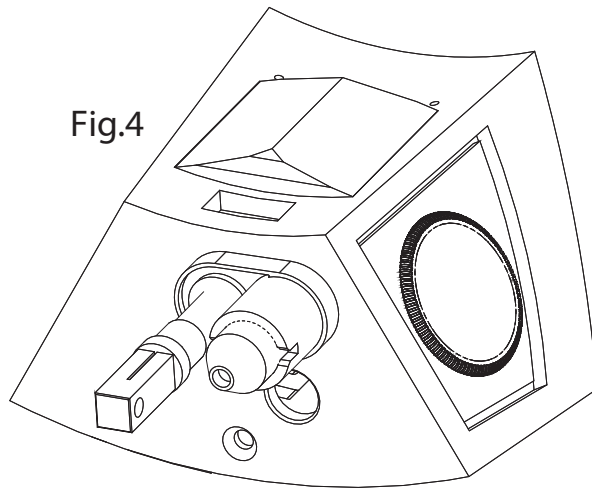


Fig.4

Assemble the Center Shaft, Large Clip and Large Clip Insert as shown in Figure 3.

Attach the shaft to the periscope with a 1 inch Screw. Remember to rotate the clip so that the insert lines up with the adjacent hole in the periscope.

## STEP 3

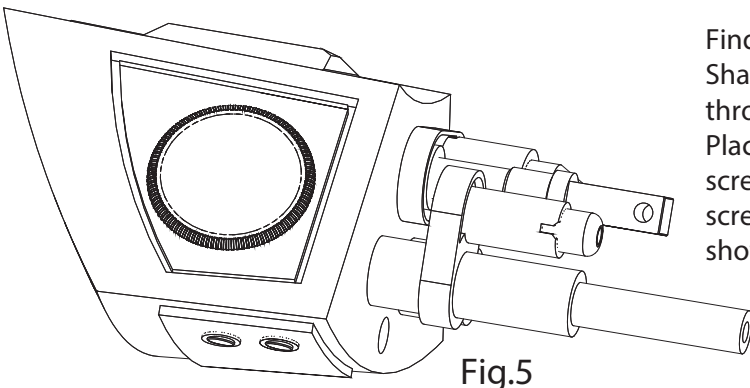
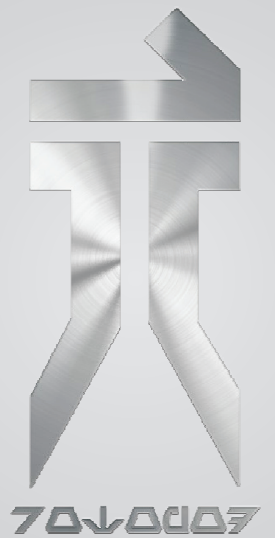


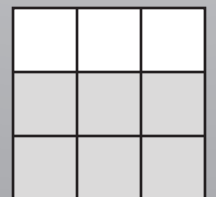
Fig.5

Find the hole in the periscope for Shaft C and place a 1 inch Screw through it.

Place the Shaft C Collar over the screw, then the small clip. Then screw Shaft C into position as shown in Figure 5.



R2-SERIES  
PERISCOPE  
& RISER  
ASSEMBLY



## STEP 4

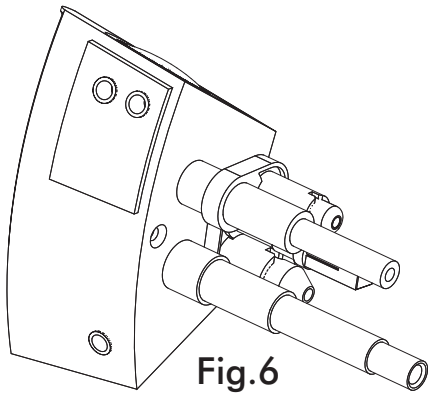


Fig.6

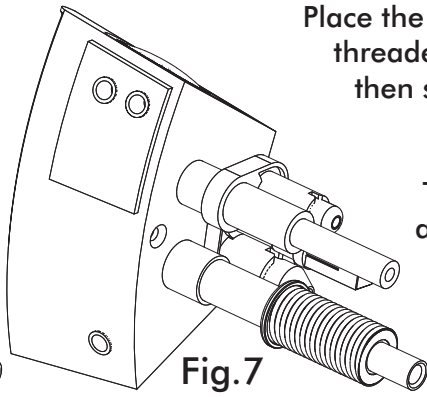


Fig.7

Place the Boot Shaft Collar on the threaded end of the Boot Shaft, then screw the Boot Shaft into the threaded hole of the periscope (Figure 6). Then place the Boot Disk and Boot in place around the Boot Shaft.

## STEP 5

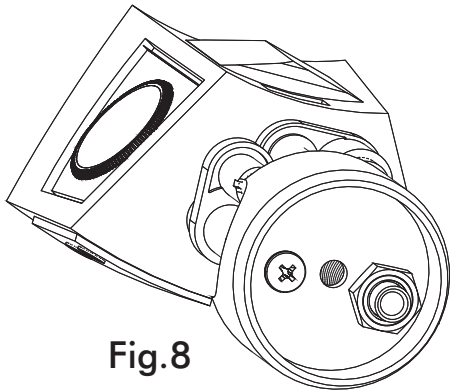


Fig.8

Attach the Cap to Shaft C and Boot Shaft using the 3/4" Screw and 3/8" Nut on the bottom of the Cap.

## PIE PANEL ATTACHMENT

Once the Periscope is installed in your dome and is operational, you'll want to attach your dome's Pie Panel to the Top Insert. This is done by securing the Pie Panel to the Top Insert using some form of epoxy. The Top Insert is then fastened to the periscope using the 2 inch Screw.

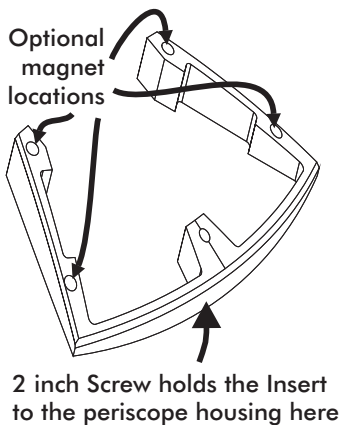


Fig.9

Alternatively, disc magnets can be placed in the holes shown in the Top Insert and Main Housing. This allows the pie panel to be attached without the need to access the 2 inch Screw. Magnets are McMaster PN 5902K44 and #5902K43 (4 of each).

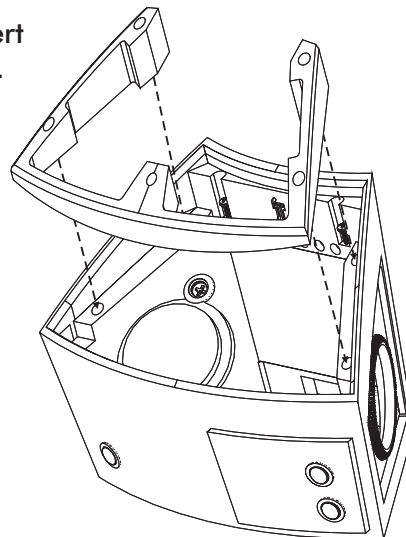


Fig.10



R2-SERIES  
PERISCOPE  
& RISER  
ASSEMBLY

